

## PRODUCT SPECIFICATIONS

# LUMINA SHUTTERS

Handcrafted Lumina Shutters feature lighting louvers, offering absolute control over illumination in any space, any time of day or night.

Constructed from solid cellular PVC and durable polycarbonate, they provide excellent insulation, long-lasting color, and consistent shape in dry and damp locations.

With the ability to imitate sunrise and sunset, regulate circadian rhythms, and enhance living and workspaces, Lumina Shutters represent the next level in window treatment technology.



## SHUTTER SPECIFICATIONS

MATERIALS	SPECIFICATIONS	ADDITIONAL INFORMATION
<b>Stile, Rail &amp; Frame</b>	PVC, Aluminum Core Stile	UV Resistant, Fire Retardant
- Color	RAL 9016 Traffic White	
<b>Lighting Louvers</b>	3.5" Polycarbonate Blade	UV Resistant, Fire Retardant
- Lighting	Lumina Hidden Source™	3100K Soft White, 4500K Bright White
- Color	RAL 9016 Traffic White	
<b>Power Supply</b>	110-240V AC 50-60Hz 2A	Output: 24V 2.0A
- Certifications	UL Listed E480146	FCC, CE, ROHS

\* LUMINA SHUTTERS ARE SUITABLE FOR USE IN DRY AND DAMP LOCATIONS.

## MINIMUM & MAXIMUM RECOMMENDED PANEL DIMENSIONS

- Maximum recommended louver length: 30"
- Maximum recommended width per panel: 34"
- Minimum recommended width per panel: 13.25"
- Maximum recommended panel height: 96"
- Maximum area per panel: 20.62 sq ft



RADIANTBLINDS.COM

© RADIANT BLINDS LLC | ALL RIGHTS RESERVED  
2614 130TH STREET STE 5 PMB1002 | LUBBOCK, TEXAS USA | 214.810.3661

*Radiant*  
Blinds™

# FRAME & JAMB STYLES LUMINA™ SHUTTERS

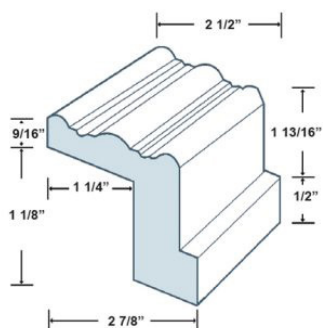


Lumina Shutter frames, louvers and stiles are all custom built and assembled by hand.

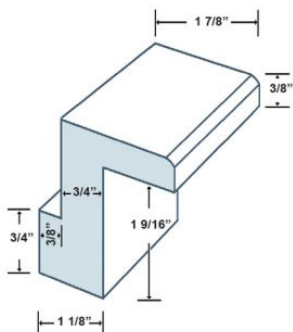
Solid cellular PVC construction provides excellent insulation that is flame retardant, water repellent, and termite-proof. Our solid shutter frames feature a water-based paint finish, treated with UV protectant and an exclusive finishing process resulting in a high quality, low maintenance surface resistant to dings & scratches, with excellent impact and skin durability.

Patented lighting louver technology reduces energy consumption and provides consistent, reliable illumination.

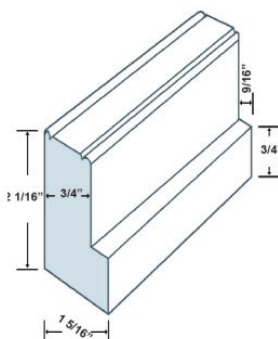
Classic Trim Frame



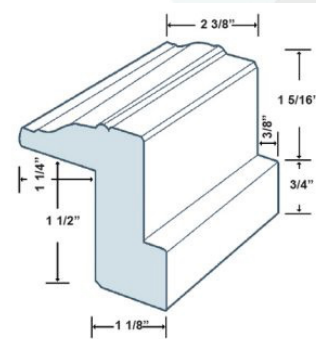
Flat Trim Frame



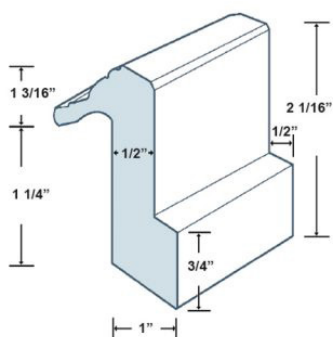
L Frame



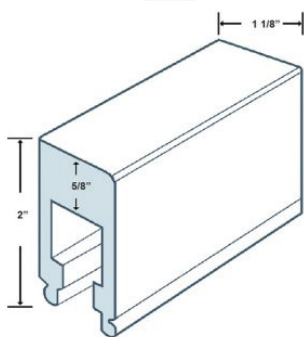
Traditional Trim Frame



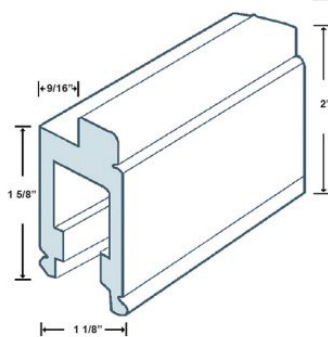
Z Frame



Plain Jamb



Rabbit Jamb



T-Astrigal Jamb

